



2-year warranty

Type overview

| | |
|-------------|-----------|
| Type | DN |
| ZONE315S-35 | 15 |

Technical data

| | | |
|---------------------------|--------------------------------|--|
| Functional data | Valve size [mm] | 0.5" [15] |
| | Fluid | chilled or hot water, up to 50% glycol |
| | Fluid Temp Range (water) | 32...212°F [0...100°C] |
| | Body Pressure Rating | 300 psi |
| | Close-off pressure Δps | 30 psi |
| | Flow characteristic | on/off, diverting |
| | Flow Pattern | 3-way |
| | Leakage rate | ANSI Class III 0.1% |
| Cv | 3.5 | |
| Materials | Valve body | forged brass |
| | Housing seal | EPDM |
| | Stem | stainless steel |
| | Seat | EPDM |
| Suitable actuators | Spring | ZONE |

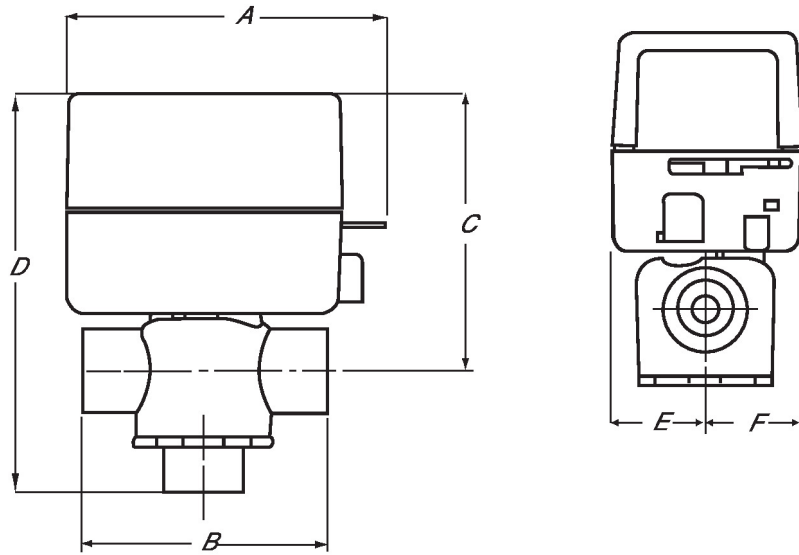
Product features

Application This valve is typically used on fan coil units, baseboards or other hydronic applications where fail safe operation on 2-wire control is required. This valve is suitable for use in a hydronic system with variable or constant flow.

This valve is designed to fit in compact areas where on/off or control is required using 24 VAC or 120 VAC.

Dimensions

| | | |
|-------------|-----------|-------------------|
| Type | DN | Weight |
| ZONE315S-35 | 15 | 0.88 lb [0.40 kg] |



| A | B | C | D | E | F |
|------------|-----------|-----------|------------|-----------|-----------|
| 4.0" [102] | 2.8" [70] | 3.5" [89] | 4.8" [122] | 1.2" [30] | 1.2" [31] |